

LOOP POWERED INDICATOR

DM500 SERIES

- > LARGE 20 mm LCD DISPLAY
- > ONLY 1 VOLT FROM LOOP
- > LOOP POWERED
- > STAINLESS STEEL CASE 100 mm DIAL
- > 5 YEAR WARRANTY
- > IP65 ENCLOSURE



INTRODUCTION

The DM500 is a loop powered process indicator designed to be connected in series with a (4 to 20) mA current loop and to display digitally, in engineering units the process variable represented by the current flowing. Coarse and fine potentiometers are provided for both SPAN and ZERO adjustment.

The 3 ½ digit LCD display requires a very low loop drop, only 1 volt.

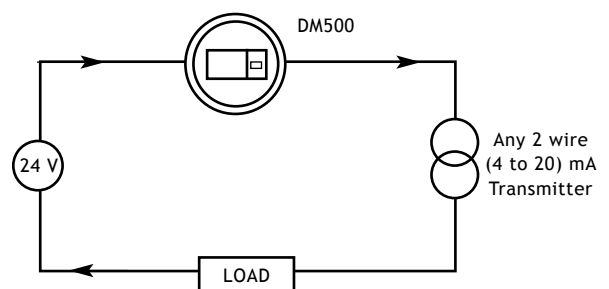
The display is housed in a 100mm diameter stainless steel dial gauge housing. Style F and G housing are deeper to accommodate any suitable in-head (4 to 20) mA transmitter.

Having no exposed glass or mercury in its construction the DM500 is ideally suited to food and pharmaceutical applications.

SPECIFICATIONS @ 20 °C

INPUT	(4 to 20) mA two wire (reverse polarity protected)
Max Current	± 125 mA
Min. Operating Current	3.8 mA
Max. Loop Drop @ 20 mA	1.0 V
Max. Loop Ripple	20 mA
Fuse Protection	125 mA
Display	20 mm, 3 ½ digit LCD
Display Range	-200 to +1999 counts
Offset	-1000 to +1000 counts 4 mA
Span	200 to 2000 counts (16 mA change)
Decimal Point	3 positions plus blank
Accuracy	± 0.1 % rdg, ± 1 count
Offset Stability	0.02 %/ °C maximum
Span Stability	0.02 %/ °C maximum
Operating Temp.	(0 to 40) °C
APPROVALS	
EMC	BS EN 61326
MECHANICAL	
Weight	0.23 Kg (excluding optional transmitter)

TYPICAL APPLICATION

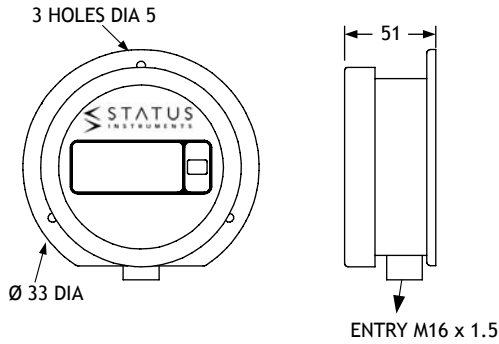


LOOP POWERED INDICATOR

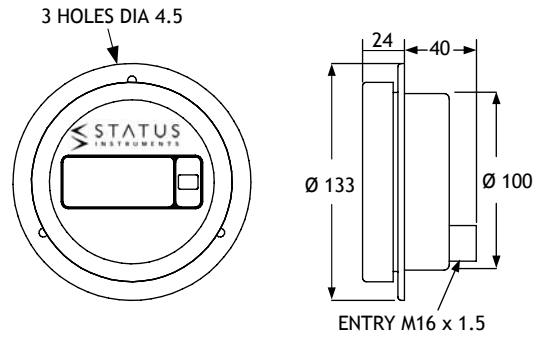
MECHANICAL DETAILS

(All dimensions in mm)

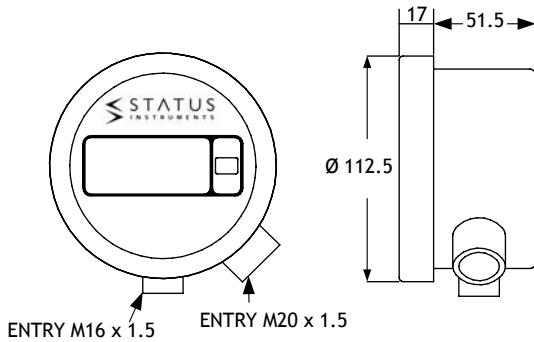
STYLE 'B' HOUSING, SIDE ENTRY M16



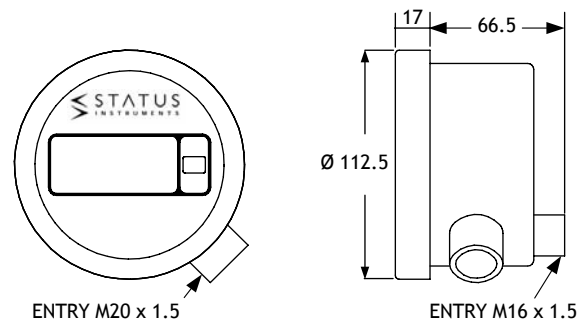
STYLE 'F' HOUSING, TWO SIDE ENTRIES



STYLE 'D' HOUSING, REAR ENTRY M16



STYLE 'G' HOUSING, REAR/SIDE ENTRIES



ORDER CODE

MODEL / CASE STYLE / Lo / Hi / UNITS

DM500 Standard version

CASE STYLE Wall mount side entry B
Panel mount rear entry D
Deep case side rear entry G*¹
Deep case dual side entry F*¹

Low reading @ 4 mA*²
High Reading @ 20 mA

°C	mbar	m	% CO ₂	ft/min	* ³
°F	in wg	l/s	Ft	VDC	
%	ft wg	l/min	psi	m VDC	
bar	m wg	l/hr	psi g	ADC	
bar g	mm Hg	gal/min	psi abs	m ADC	
bar abs	kg/cm ²	gal/hr	%RH	K	

Any of the above units are standard

*NOTES:

1. Transmitters can be installed.

Compatible (4 to 20) mA transmitters.

Type	Pt100	Thermocouple	I.S	Feature
SEM203	P	K, T, J, R, S, B, L, E, N	No	Low cost
SEM205	P		Yes	Smart
SEM210	P	K, J, T, R, S, E, L, N	Yes	Universal

2. The range may be field selectable by the user or if stated at time of order will be factory pre set.

3. The UNITS label can be fitted by the user using one of the labels supplied. If stated at the time of order this will be factory fitted.