

FREQUENCY TRANSDUCER



FEATURES

- Measuring & Conversion : DIN-IEC 688
- Dielectric Strength : DIN-IEC 688
2KVac 50 / 60Hz / 1 minute
- Impulse Test : ANSI C37.90a / 1974,
IEEE 587 / 1983,
IEC 255-4, 5KV (1.2 x 50 μ s)
- Surge test (ring wave) : IEC 255-4 (2.5KV~0.25ms / 1MHz)

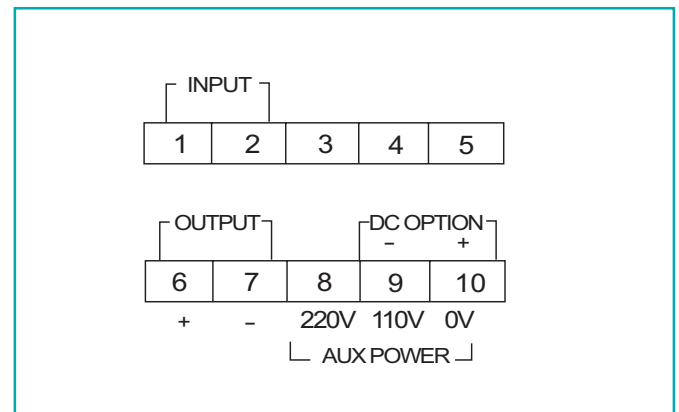
1. MODEL: PF - PF - - -

NO	Input Frequency	NO	Output Voltage	NO	Output Current	NO	Aux.Power
A	45-55Hz	11	DC 0-1 V	21	DC 0-1 mA	1	AC 110/220V(50/60Hz)
B	55-65Hz	12	DC 0-5 V	22	DC 0-10mA	2	DC 24V
C	45-65Hz	13	DC 1-5 V	23	DC 0-20mA	3	DC 48V
O	SPECIFIED	14	DC 0-10 V	24	DC 4-20mA	4	DC 110V
• Sensing voltage AC 30-600V		15	DC 2-10 V	29	SPECIFIED	5	DC 220V
		19	SPECIFIED			6	AC 90~260V
						9	SPECIFIED

2. Specification

- Accuracy : 0.1% F.S. (23 \pm 5 $^{\circ}$ C)
- Temp. coefficient : 50 ppm/ $^{\circ}$ C (0-50 $^{\circ}$ C)
- Input burden : \leq 0.2VA
- Maximum input over : maximum 2 x rated continuous
- Response time : \leq 250ms (0~90%)
- Output ripple (p-p) : <0.1% F.S.
- Output drive capability : \leq 10mA for voltage mode
 \leq 10V for current mode
- Dielectric strength : 2KVac/1 min. (input/output/aux. power/case)
- Surge test : ANSI C37.90a/1974, DIN-IEC 255-4
impulse voltage 5KV (1.2 x 50 μ s)
- Operating condition : 0~55 $^{\circ}$ C (20~95% RH non-condensed)
- Storage condition : 0~70 $^{\circ}$ C (20~95% RH non-condensed)
- Power supply : AC 110V/220V \pm 20% (50/60Hz) \leq 2VA
(Optional DC24V, DC48V, DC110V, DC220V \pm 20%)

4. Terminal connection



3. Dimension: (Unit: mm)

