

FREQUENCY REPEATER TRANSMITTER



FEATURES

- Input range from 0.01Hz to 80KHz
- Input/output isolation 1.6KVac

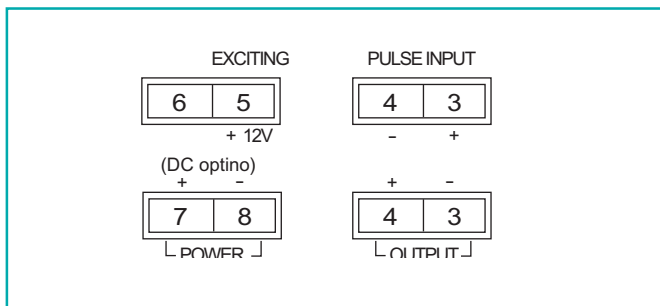
1. MODEL: PF - FRF - [Color] - [Color] - [Color]

NO	Input Level	NO	Output 1	NO	Output 2	NO	Aux. Power
1	Pulse (TTL) (5V)	N	None	N	None	1	AC 110V (50/60Hz)
2	Pulse (NPN) (12V)	A	Pulse 5V	A	Pulse 5V	2	AC 220V (50/60Hz)
3	Pulse (PNP) (12V)	B	Pulse 24V	B	Pulse 24V	3	DC 24V
4	AC 0.1~6V	R	SPECIFIED	R	SPECIFIED	4	DC 48V
						5	DC 110V
						6	DC 220V
						7	AC 90~260V
						9	SPECIFIED

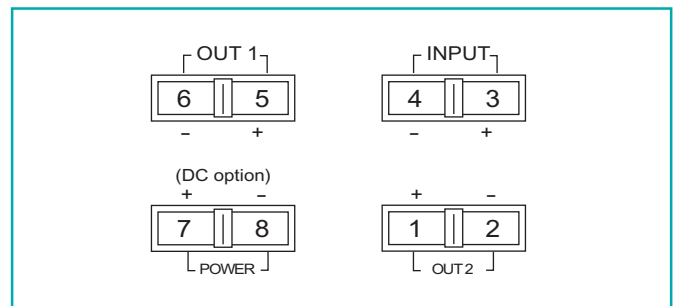
2. Specification

- Count input type : Current sinking or current sourcing
- Sensor power : 12VDC
- Temp. coefficient : 100ppm/°C
- Dielectric strength : 1.6KVac/1min. (power/input/output)
- Operating condition : 0~55°C (20~95% RH non-condensed)
- Storage condition : 0~70°C (20~95% RH non-condensed)
- Construction : Socket/plug-in type with barrier terminals
- Auxiliary power : AC 110V or 220V (50/60Hz) ±20% 3.5VA

3. Terminal connection

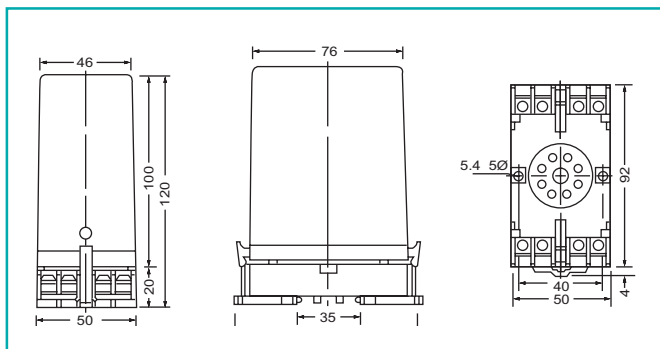


(One repeat output)



(Two repeat outputs)

4. Dimension: (Unit: mm)



Note: 1. Socket drawing type

2. Mounting: either rail mounting or general screw mounting