

FLOW SENSOR



FEATURES

- Tefzel® Paddle wheel rotor
- PVC or PP body
- Analog and/or pulse output optional
- DN15 to DN50 pipe size
- Chemical industry application

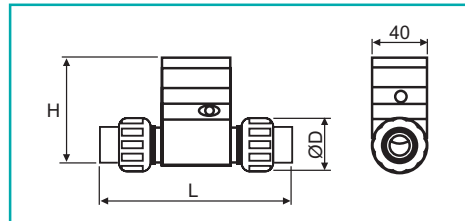
1. MODEL: PFS - F - U - [Color] - [Color] - [Color] - [Color] - X X : See pipe size table

No.	Output 1 Analog	No.	Output 2 Pulse	No.	Body	No.	O-ring	No.	K value input
0	None	0	None	A	PVC	1	NBR	0	None
1	4~20mA	1	Open collector	B	PP	2	EPDM	1	RS232
2	0~5V	9	Specified					2	RS485
9	Specified								

2. Specification

- Wetted parts: Sensor body : PVC or PP
O-ring : NBR or EPDM
Pin : Al₂O₃ / ZrO₂
Rotor : Tefzel
Bearing : Al₂O₃
- Cable : PVC
- Pipe size : DN15~DN50
- Flow range : 0.3m/S to 10m/S
- Range ability : 10:1
- Operating Pressure : 5 Kg/cm²
- Temp. coefficient : 100ppm/°C
- Accuracy : ±0.2% (25°C)
- Linearity : ± 1% F.S
- Repeatability : ± 1% F.S
- Operating condition : 5~55°C (20~90%RH non-condensed)
- Storage condition : 0~70°C (20~90%RH non-condensed)

3. Dimension



Pipe Size	Dimension		
	H	L	ØD
DN15	86	140	41
DN20	88	150	53
DN25	91.3	160	60
DN40	109.6	185	83
DN50	123.4	196.8	110

4. Wiring Diagram

Output		Cable Color					
Out1	Out2	Vs+	Vs-	Out1+	Out1-	Out2+	Shield
1	0	R	B/W	P	G	N	B
2	0	R	B/W	P	G	N	B
0	1	R	B/W	N	N	Y	B
1	1	R	B/W	P	G	Y	B
2	1	R	B/W	P	G	Y	B

R: Red, B/W: Black/White, P: Pink, G: Gray, Y: Yellow, B: Black

Standard Pipe Size: mm

DN	JIS	ANSI	DIN
15	Ø 18.40	Ø 21.34	Ø 20
20	Ø 26.45	Ø 26.67	Ø 25
25	Ø 32.55	Ø 33.27	Ø 32
40	Ø 48.70	Ø 48.26	Ø 50
50	Ø 60.80	Ø 60.20	Ø 63

Pipe Size Table

No.	Pipe size
1	DN15(1/2") 0-30LPM (STD) ~120LPM (MAX)
2	DN20(3/4") 0-60LPM (STD) ~175LPM (MAX)
3	DN25(1") 0-90LPM (STD) ~306LPM (MAX)
4	DN40(1 1/2") 0-200LPM (STD) ~851LPM (MAX)
5	DN50(2") 0-330LPM (STD) ~1364LPM (MAX)

FLOW SENSOR



FEATURES

- Paddle wheel rotor
- PVDF or PP molded body
- Self-powered flow rate
- DN15 to DN1000 pipes
- Simple insertion
- Easy installation
- Low pressure drop

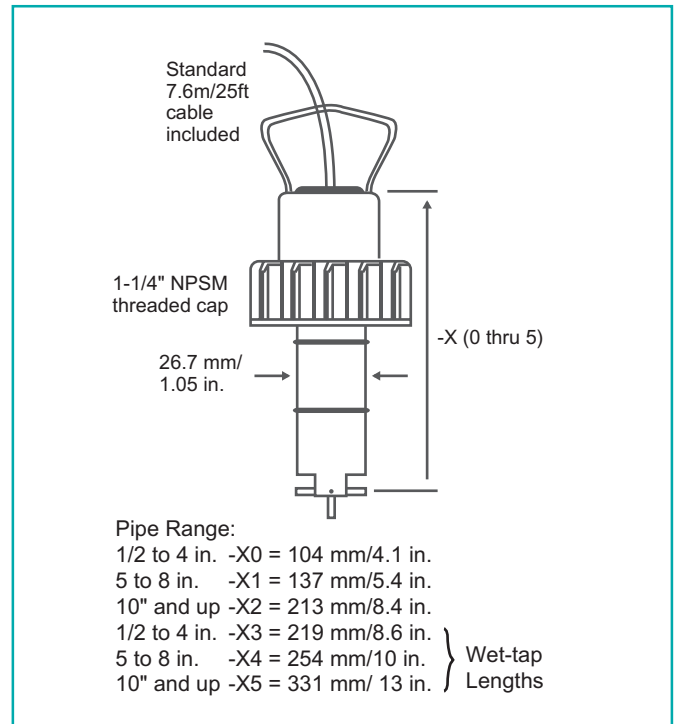
1. MODEL: PFS - F - I - [Color] - [Color] - [Color] - X X : Pipe range table

No.	Body	No.	O-ring	No.	Pin
A	PP	1	FPM-VITON	A	PVDF
B	PVDF	2	EPDM	B	Titanium
C	PVC	3	FPM-Kalrez	C	Hastelloy
D	SS316			D	PVDF

2. Specification

- Wetted parts : Sensor body : Glass filled PP or PVDF
 O-ring : FPM-VITON (ST) or EPDM or FPM -Kalrez
 Pin : Titanium or Hastelloy-C or PVDF
 Rotor : Black PVDF or Natural PVDF
- Cable : 2-conductor twisted pair (22AWG), with shield
- Pipe size : DN 15 - DN1000
- Temp. coefficient : 100ppm/°C
- Linearity : ± 1% F.S
- Repeatability : ± 1% F.S
- Operating condition : 0 ~ 55°C (20 ~ 90%RH non-condensed)
- Storage condition : 0 ~ 70°C (20 ~ 90%RH non-condensed)

3. Dimension



4. Wiring Diagram

