

DUAL OUTPUT ISOLATORS TRANSMITTER



FEATURES

- Directly accept process signal input (DCA, DCV, ACA, ACV, Transmitter, Pt-100, Potentiometer, Thermocouple) and provide two independent and isolated DC outputs
- Accuracy 0.1% F.S
- Input/output1/output2 isolation 1.6KVdc
- High stability & Dimension small

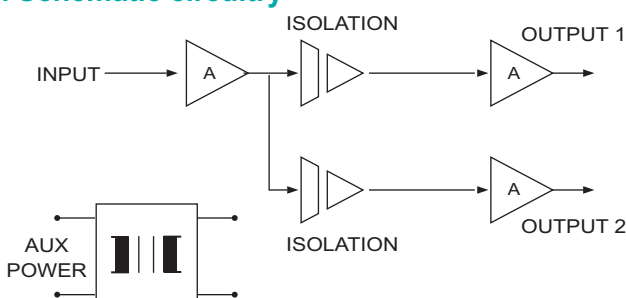
1. MODEL: PF-DDI - [] - [] - [] - []

NO	Input Type	NO	DCV (ACV)	NO	DCA (ACA)	NO	Transmitter	NO	Pt-100	NO	Thermocouple	NO	Output Range Voltage/Current	NO	Aux. Power
A	DC	11	0-10mV	21	0-200 μ A	31	4-20mA	41	-50~50°C	51	0-600°C(J)	B	0 ~ 1 V	1	AC 110V (50/60Hz)
B	AC (RMS)	12	0-50mV	22	0-1mA	32	1-5V	42	-100~100°C	52	0-1200°C(K)	E	0 ~ 5 V	2	AC 220V (50/60Hz)
C	AC (TRMS)	13	0-100mV	23	0-5mA	33	4-20mA	43	-200~200°C	53	0-1600°C(R)	F	1 ~ 5 V	3	DC 24V
D	Transmitter	14	0-1V	24	0-10mA	34	1-5V	44	0~850°C	59	SPECIFIED	H	0 ~ 10 V	4	DC 48V
E	Pt-100 (RTD)	15	0-10V	25	0-20mA	39	SPECIFIED	45	-200~850°C	• Accuracy 0.25% F.S. $\pm 0.5^{\circ}\text{C}$ • Internal CJC trace ability $\leq \pm 0.5^{\circ}\text{C} \leq 10\text{min.}$ warm up	I	2 ~ 10 V	5	DC 110V	
F	Thermocouple	16	0-35V	26	0-2A	• Two wire connection • 31-32 non-exciting DC 24V • 33-34 exciting DC 24V ($\leq 25\text{mA}$)	49	SPECIFIED	• Two wire connection		J	0 ~ 1 mA	6	DC 220V	
O	SPECIFIED	17	0-200V	27	0-5A		• $\pm 20\%$ of rate, less 3.5VA for AC input • $\pm 20\%$ of rate, less 3WATT for DC input • Switchable 110V/220V by jump internally • $\pm 10\%$ of rate, less 3.5VA for AC switching input	N		0 ~ 10 mA	7	AC 90~260V			
		18	0-1000V	28	10-50mA			P		0 ~ 20 mA	9	SPECIFIED			
		19	SPECIFIED	29	SPECIFIED					Q	4 ~ 20 mA				
										R	SPECIFIED				

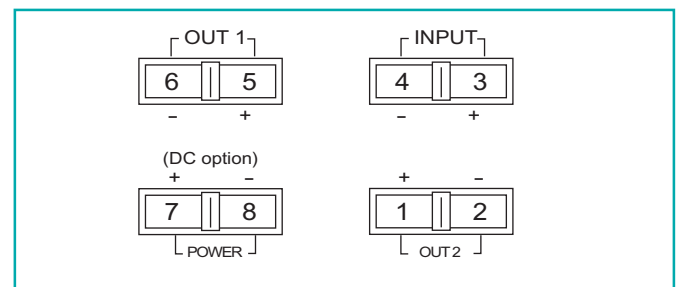
2. Specification

- Accuracy ($23 \pm 5^{\circ}\text{C}$) : 0.1% F.S (DC, AC(TRMS)), Transmitter, Pt-100
0.15% F.S \pm (AC(TRMS))
0.25% F.S $\pm 0.5^{\circ}\text{C}$ (Thermocouple)
- Output ripple (p-p) : 0.1% F.S.
- Temp. coefficient : 100ppm/ $^{\circ}\text{C}$ (0-50 $^{\circ}\text{C}$)
- Dielectric strength : 1.5KVac/1min. (power/input/output1/output2)
1600 Vdc (input/output1/output2)
- Output drive capability : $\leq 10\text{mA}$ for voltage mode
 $\leq 10\text{V}$ for current mode
- Response time : $\leq 250\text{ms}$ (0-90%)
- Operating condition : 0~55 $^{\circ}\text{C}$ (humidity 20 to 95% RH non-condensed)
- Storage condition : 0~70 $^{\circ}\text{C}$ (humidity 20 to 90% RH non-condensed)
- Construction : Socket/plug-in type with barrier terminals

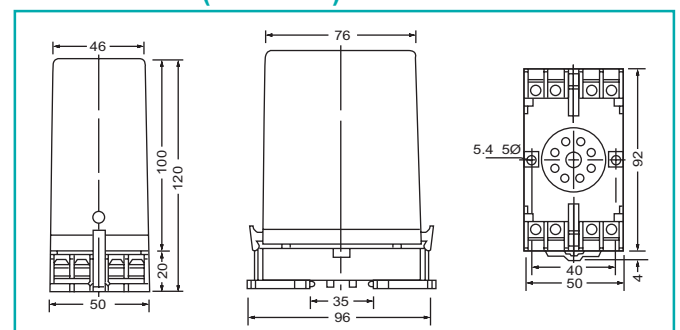
3. Schematic circuitry



4. Terminal connection



5. Dimension (unit: mm)



- Note: 1. Socket drawing type
2. Mounting: either rail mounting or general screw mounting