

# SHUNT SENSOR



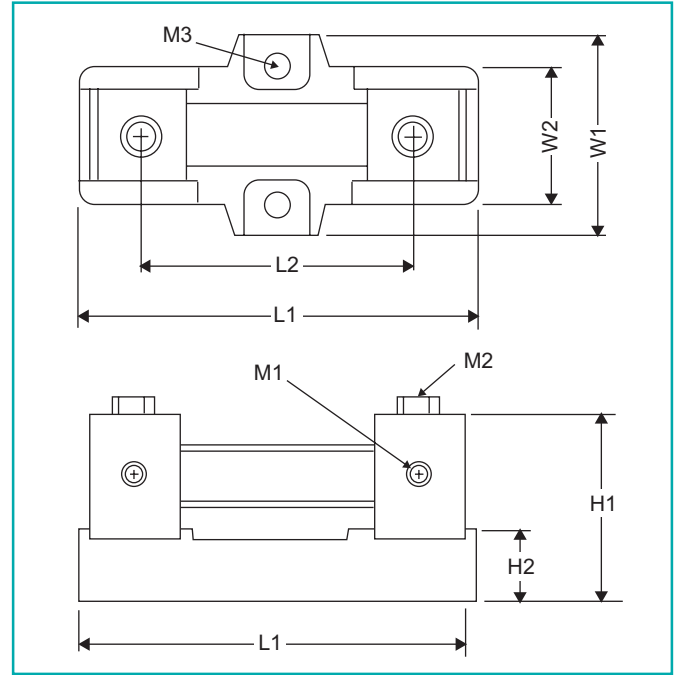
Example:  
PFS-SHT-150mV/225A

## 1. MODEL: PFS - SHT - ■ mv / ■ A

S.V mv	P.C A				
50	10	60	150	400	800
60	20	70	200	450	900
100	30	80	250	500	1000
200	40	90	300	600	1200
SPECIFIED	50	100	350	700	1500
SPECIFIED					

S.V : Secondary voltage

P.C : Primary current



TYPE	L1	L2	W1	W2	H1	H2	M3	M1	M2	g
1A~100A	66	45	32	22	34	12	4	3	5	100

60mV or 50mV, Below 100A

# LOAD CELL SENSOR



## FEATURES

- Tension and/or Compression
- Stainless or Tool steel
- Strain gauge principle
- Excellent repeatability
- High stability

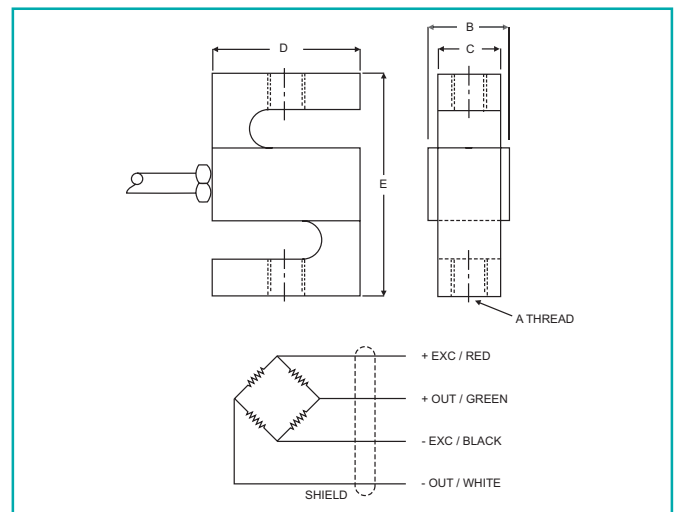
## 1. MODEL: PFS - LC - X Y

X : Capacity Range  
Y : Material S=Stainless Steel  
T=Tool Steel

## 2. Specification

- Capacity : 100, 250, 500, 1000, 1500, 2000, 2500, 5000 kg
- Rated output : 2mV/V  $\pm 5\%$ ,
- Excitation : 10 VDC recommended
- Input impedance : 350 ohm
- Output impedance : 400 ohm
- Zero balance : 1% of R.O
- Non-linearity hysteresis :  $\pm 0.02\%$  of R.O repeatability
- Creep at rated capacity :  $\pm 0.02\%$  of R.O (20 Min)
- Temperature compensated : 0~50°C
- Over load : 1.5 rated
- Material : Stainless or Tool steel
- Operating condition : 0 ~ 55°C (20~90% RH non-condensed)
- Storage condition : 0 ~ 70°C (20~90% RH non-condensed)

## 3. Dimension & wiring diagram



Capacity	Dimensions					
		A	B	C	D	E
100kg	(mm)	M10x1.50	25.4	19.0	50.8	76.2
250lb	(inch)	3/8-24UNF-2B	0.75	0.50	2.00	3.00
250/500/750kg	(mm)	M12x1.75	25.4	19.0	50.8	76.2
500/750/1K/1.5K lb	(inch)	1/2-20UNF-2B	1.00	0.75	2.00	3.00
1000/1500kg	(mm)	M12x1.75	31.8	25.4	50.8	76.2
2K/2.5K/3K lb	(inch)	1/2-20UNF-2B	1.25	1.00	2.00	3.00
2000/2500/5000kg	(mm)	M18x1.50	31.8	25.4	76.2	108
5K/7.5K/10k lb	(inch)	3/4-16UNF-2B	1.25	1.00	3.00	4.25
15K lb	(inch)	1-14UNF-2B	1.50	1.25	3.94	5.50
20K lb	(inch)	1-1/4-12UNF-2B	2.00	1.94	4.94	7.00