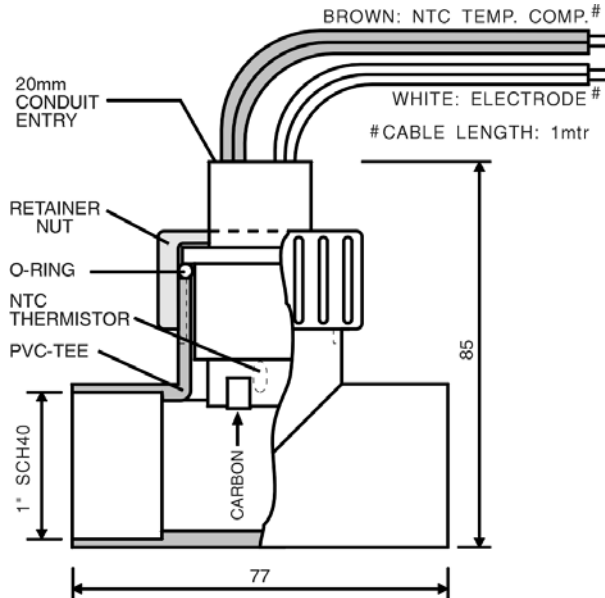


CONDUCTIVITY PROBE PR128-1

DESCRIPTION

The CONDUCTIVITY PROBE PR128-1 is a temperature compensated in-line probe, designed for pipe mounting and is supplied complete with a PVC pipe-tee. The probe can be removed for cleaning or inspection by removal of a retainer nut. In this way there is no twisting of the cable tail.

The PR128-1 will interface directly with the A.P.C.S. conductivity transmitter type CDT128, conductivity alarm type DTA137 Opt. 14 and STA138 Opt. 14 (Refer to data sheets CDT128, DTA137 and STA138 for details), or with the A.P.C.S. range of wall mounted conductivity controllers CDC601...CDC604.



All dimensions in mm

General Specifications

Pipe size:	1" schedule 40.
Tee-piece:	PVC solvent weld.
Retainer nut internal thread:	1" BSP parallel
Pressure rating:	1000kPa.
Electrode material:	Carbon.
Integral thermistor:	10k Ω @ 25°C, NTC.
K-factor:	1.0
Maximum temperature:	60 °C.
Length of cable tail:	1m standard.
Wiring:	Brown leads, thermistor White leads, and electrodes.

