

# 3213A Series of Analog Insulation Testers

# 3213A SERIES



- Analog models with single rating
- AC voltage measurement and check live lines such as motive power lines
- One-touch operation Press-and-lock switch for continuous measurement
- A wide choice of accessories to meet various testing requirements
- Vibration- and shock-resistant hand-held compact testers

## Testing Performance Specifications

Model	Rating	Effective Measuring Range	Central Scale Value	AC Voltage Measuring Range	Lower Limit of measured $\Omega$	Rated Current
321341	100V/20M $\Omega$	0.02–20M $\Omega$	0.5M $\Omega$	0–150V	0.1M $\Omega$	1mA
321342	250V/50M $\Omega$	0.05–50M $\Omega$	1M $\Omega$	0–250V	0.25M $\Omega$	1mA
321343	500V/100M $\Omega$	0.1–100M $\Omega$	2M $\Omega$	0–300V	0.5M $\Omega$	1mA
321344	500V/1000M $\Omega$	1–1000M $\Omega$	20M $\Omega$	0–300V	0.5M $\Omega$	1mA**
321345	1000V/2000M $\Omega$	2–2000M $\Omega$	50M $\Omega$	0–300V	1M $\Omega$	1mA**

\* The minimum value at which the rated voltage can be maintained; \*\* 0.55 mA in the case of the first effective measuring range

### Standard test conditions:

Ambient temperature/humidity ranges: 23  $\pm$  5 $^{\circ}$ C/45–75% RH

Position of use: Horizontal (5 $^{\circ}$  max. of angle of inclination)

Effect of geomagnetism: None

Battery voltage: Within effective voltage range

(The pointer must stay within the range indicated by the BAT symbol when the battery check is performed.)

### Tolerances under the above-mentioned conditions:

Resistance measurement:

First effective measuring range =  $\pm$ 5% of reading

Second effective measuring range =  $\pm$ 10% of reading

Infinite and zero scale values: 0.7% max. of scale length

AC voltage:  $\pm$ 10% of maximum scale value

Open circuit voltage: 130% max. of rated voltage

Rated measuring current: 1 mA (0 to 20%) when in first effective measuring range

Short-circuit current: 12 mA max.

## General Specifications

Scale length: Approx. 88 mm

Dimensions (main unit): Approx. 110 (W)  $\times$  180 (H)  $\times$  60 (D) (mm)

Weight: Approx. 700 g including batteries, or approx. 1.2 kg including hard case, handle, test leads and batteries

Batteries: Eight AA (R6P) batteries

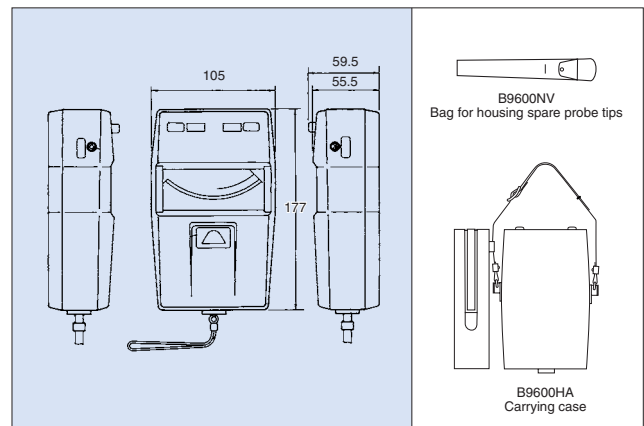
Accessories: See the list of accessories on the backside of this bulletin for information on accessories such as probes with a switch.

## Standard Accessories

Product	Part Number	Qty
Test lead	B9205VA	1 (consist of earth/line terminal)
Hard case	B9600HA	1 (w/leads-housing case)
Handle	B9303XE	1
User's manual	–	1
Batteries	–	8

## External Dimensions

Unit: mm



## Related Products

### Generator-driven Insulation Tester



#### Model 2404: (including case)

Dimensions: Approx. 112  $\times$  184  $\times$  105 (mm)  
Weight: Approx. 1.3 kg

### Earth Tester



#### Model 3235: (including case)

Dimensions: Approx. 210  $\times$  140  $\times$  135 (mm)  
Weight: Approx. 2.5 kg, including case

### Automatic Power Distribution Tester



#### Model 3207: (with case)

Dimensions: Approx. 210  $\times$  140  $\times$  142 (mm)  
Weight: Approx. 2.3 kg (main unit only)